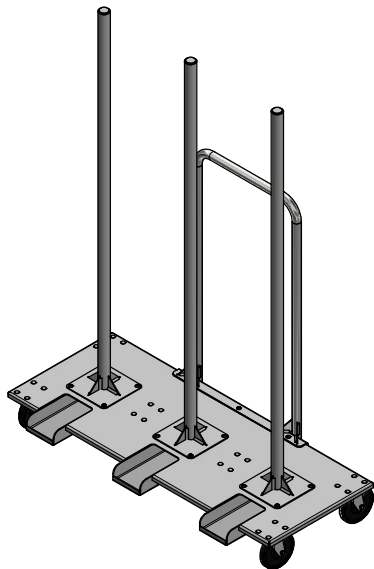


ZONO HC 3M 48 Helmet Cart 3 Masts for 48 Helmets

DISINFECT & SANITIZE IN 30 MINUTES USING THE ZONO MOBILE CART SYSTEM



FEATURES

ERGONOMIC

Ergonomically conscious rolling carts.
Reduce bending & lifting.

MOBILE

Rolling carts provide full range of mobility
throughout your facility.

EFFICIENT

While one set of carts is in use, prepare
your next set for the next cycle.

STORAGE

Use carts as space saving storage when
not in use for sanitizing.

GUARANTEED

ZONO comes with a three-year warranty
for parts & labor.

SUITABLE ITEMS

Football Helmets, Hard Hats, Bicycle Helmets
Motorcycle Helmets, Hockey Helmets

SPECIFICATIONS

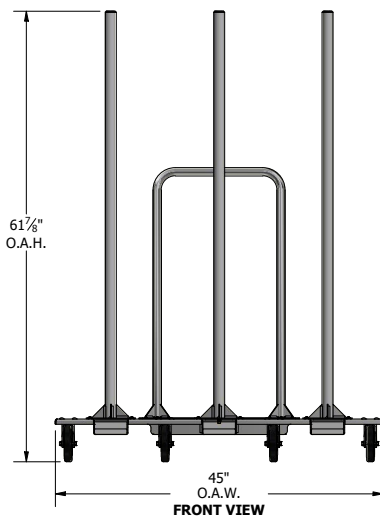
Dimensions: 61 7/8" H x 45" W x 21 7/16" D

Capacity: 48 Football Helmets

Material: Aluminum

Proudly Made in the USA

Great for use in Sports and Public Safety



WHERE CAN IT BE USED

ZONO SC 2 – Fits 1 HC 3M 48

ZONO SC 2 DD – Fits 2 HC 3M 48's